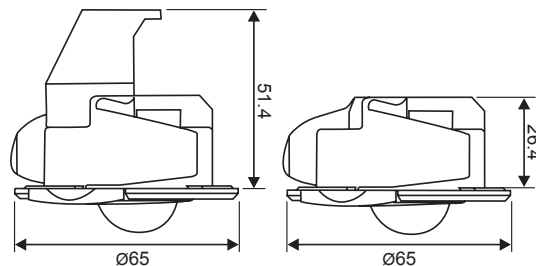


DALI	Protection class:	IP30
	EMC immunity EN	55015
	EMC emission EN	61547

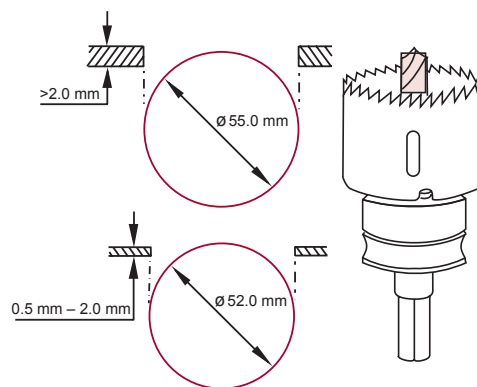
Product Image



Dimensions



Installation



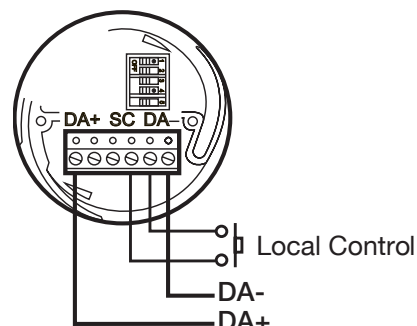
Functions

- Scene Recall
- Raise / Lower Lighting Levels
- Activate areas with Absence detection
- Use with long range movement sensors

Convenience

- Available with pre-wired plug and lead for LCM

Connections



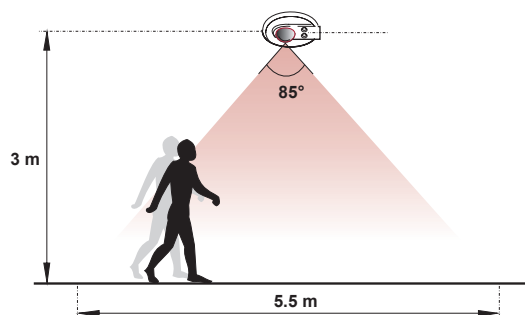
Compatible Systems

Class Control	Yes
Control 2	Yes
Control 2+	Yes
Control 3	Yes

Basic Technical Data

Power Source	Bus Supplied
DALI Current Draw	15mA
Weight	54g
Interface	DALI (Single Address)

PIR Coverage



Part Numbers

Description

97-312	Combined DALI Multisensor
97-312-MCC3P-5M	Combined DALI Multisensor with prewired 5m lead & plug