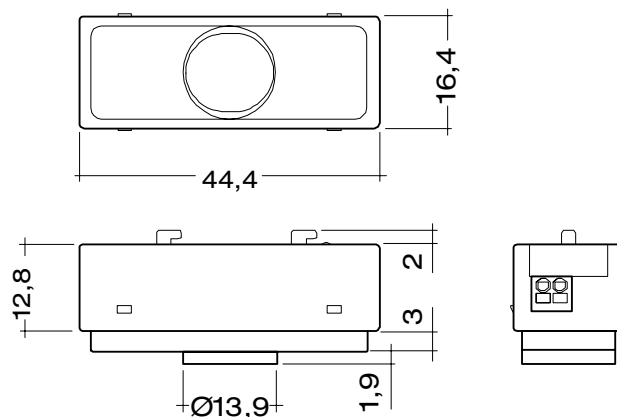


<b>DALI</b>	Certified:	EN 61547
		EN 61347-1
		EN 61347-2-11
		EN 55015
		EN 62386-101/102

**Product Image**



**Dimensions**



**Functions**

- Presence / Absence Detection
- High sensitivity PIR
- Constant (Daylight) regulation

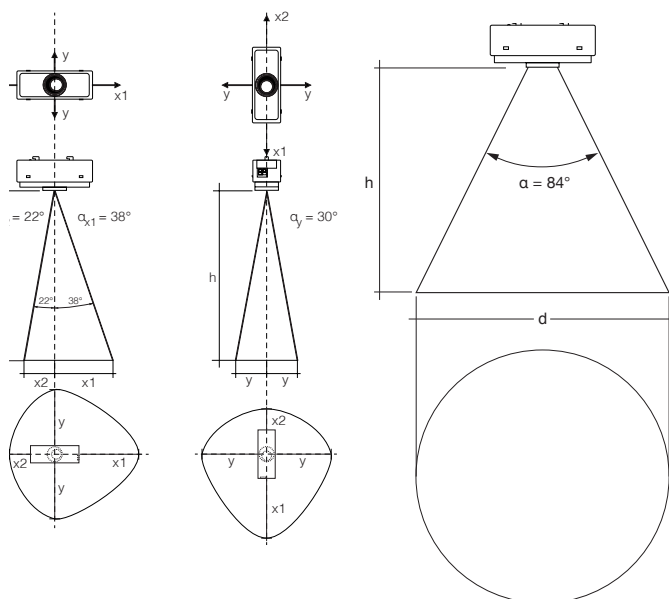
**Convenience**

- Available factory fitted in selected RIDI Group luminaires

**Coverage**

**Light Level**

**PIR Detector**



**Compatible Systems**

Class Control	No
Control 2	No
Control 2+	No
Control 3	Yes

**Basic Technical Data**

Power Source	Bus Supplied
DALI Current Draw	6mA
Weight	14g
Interface	DALI (Single Address)

h	x1	x2	y	d
1.7m	1.3m	0.7m	10.m	3.0m
2.0m	1.6m	0.8m	1.2m	3.6m
2.3m	1.8m	0.9m	1.3m	4.1m
2.5m	2.0m	1.0m	1.4m	4.5m
2.7m	2.1m	1.1m	1.6m	4.9m
3.0m	2.3m	1.2m	1.7m	5.4m
3.5m	2.7m	1.4m	2.0m	6.3m
4.0m	3.1m	1.6m	2.3m	7.2m

h=mounting height  
 x1=axial lightlevel recognition area  
 x2=axial lightlevel recognition area  
 y=axial lightlevel recognition area  
 d=presence/movement detection area

**Part Numbers**

**Description**

97-5DPI_14F	Integral Combined DALI Multisensor
-------------	------------------------------------