

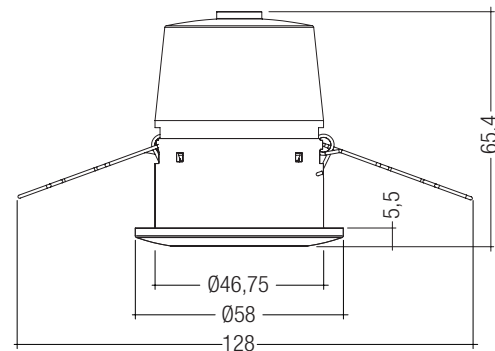


Certified: EN 61547
EN 61347-1
EN 61347-2-11
EN 55015
EN 62386-101/102

Product Image



Dimensions



Functions

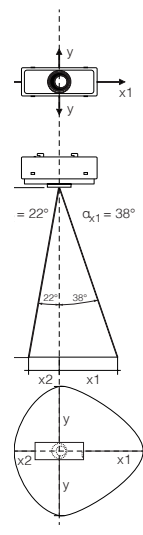
- Presence / Absence Detection
- High sensitivity PIR
- Constant (Daylight) regulation

Convenience

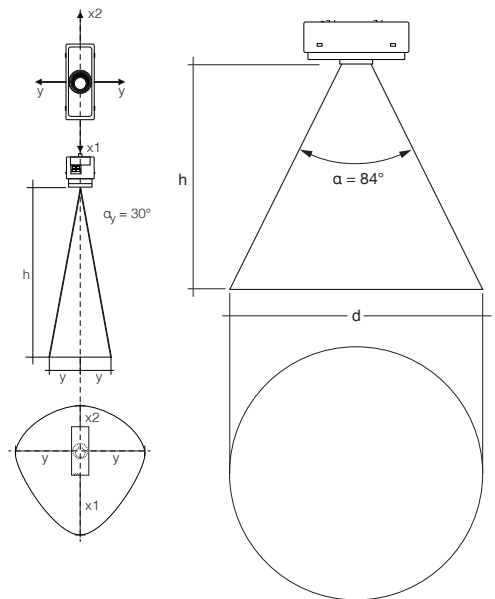
- Available with pre-wired plug and lead for LCM

Coverage

Light Level



PIR Detector



Compatible Systems

Class Control	No
Control 2	No
Control 2+	No
Control 3	Yes

Basic Technical Data

Power Source	Bus Supplied
DALI Current Draw	6mA
Weight	54g
Interface	DALI (Single Address)

h	x1	x2	y	d
1.7m	1.3m	0.7m	10.m	3.0m
2.0m	1.6m	0.8m	1.2m	3.6m
2.3m	1.8m	0.9m	1.3m	4.1m
2.5m	2.0m	1.0m	1.4m	4.5m
2.7m	2.1m	1.1m	1.6m	4.9m
3.0m	2.3m	1.2m	1.7m	5.4m
3.5m	2.7m	1.4m	2.0m	6.3m
4.0m	3.1m	1.6m	2.3m	7.2m

h=mounting height
x1=axial lightlevel recognition area
x2=axial lightlevel recognition area
y=axial lightlevel recognition area
d=presence/movement detection area

Part Numbers

Description

97-5DPI_14RC	Combined DALI Multisensor
97-5DPI_14RC-SPLG	Combined DALI Multisensor with prewired 5m lead & plug