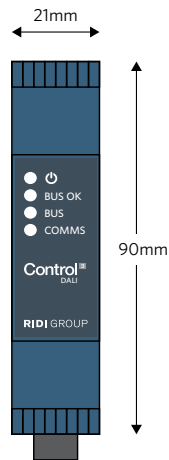


Protection class: IP20

Product Image



Dimensions



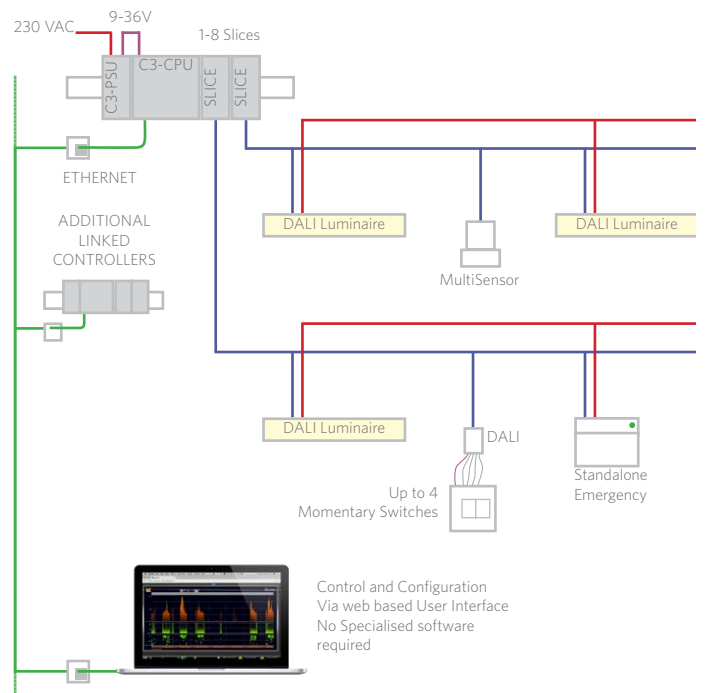
Description

DALI Slice connects to Control³ main processor (97-C3-CPU) and provides bus power and control for up to 64 DALI devices.

Slice is connected via DIN rail mounted bus connector (supplied) to the Control³ processor (97-C3-CPU) and is automatically recognised by the system.

Field wiring to DALI devices is via removeable 2 pole terminal block.

Wiring example



Basic Technical Data

Power Source	BUS Supplied
DALI Supply Current	210mA
Capacity	Max 64 DALI Addresses

Part Numbers

Description

97-SCIV2	Control3 DALI Slice
----------	---------------------