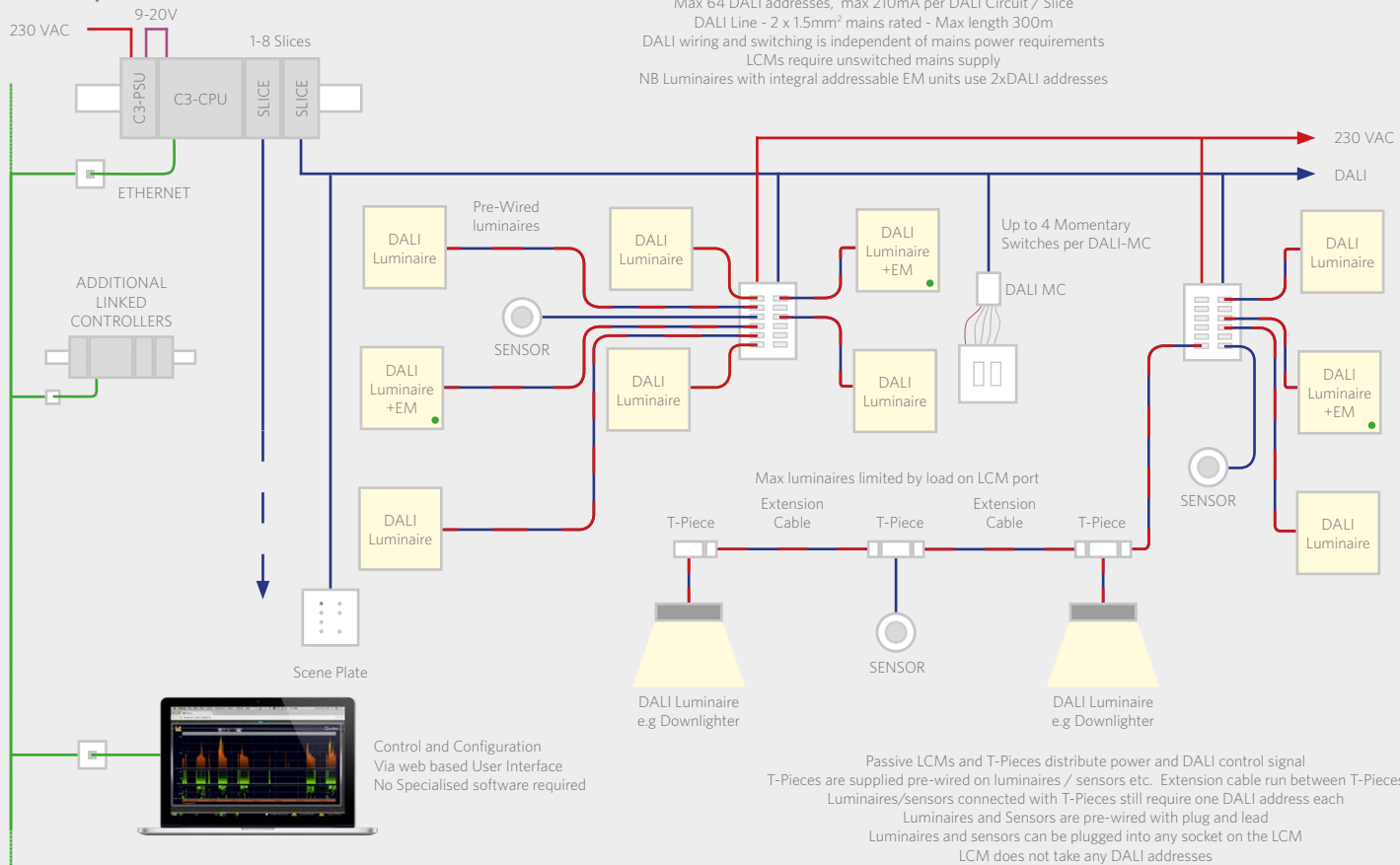


### Example Schematic



### Features

- Presence / Absence
- Daylight Harvesting
- Time Control
- Energy Monitoring
- Scene Setting & Sequences
- AV Integration
- Circadian rhythms and Tuneable white
- Smart Circulation
- Fault Reporting (email)
- Emergency testing
- Occupancy Monitoring
- Trend / BACnet integration

### System Parameters

- 1-8 DALI Slices per processor
- 64 DALI addresses / 210mA per Slice
- DALI uses 2 core 1.5mm<sup>2</sup> unscreened
- Max distance from controls = 300m
- Luminaires required unswitched mains

### Control 3 Components



Control 3 PSU  
97-C3-PSU  
LV supply for Processor



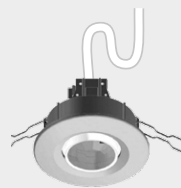
Control 3 Processor  
97-C3CPU  
1-8 Slices can be connected



DALI Slice  
97-SCIV2  
64 addresses / 210mA



DALI Multisensor SR  
97-5DPI-14RC-SPLG325  
6mA



DALI Multisensor LR  
97-5DPI-02-5DPI-41RC-SPLG325  
10mA



Switch Input  
97-DALI-MC  
6mA



Scene Plate  
97-12X-XXX  
15mA



8x16A Relay  
97-498  
2mA



12 Way LCM  
97-MCC10B  
Passive LCM

See Control3 Brochure for additional available components