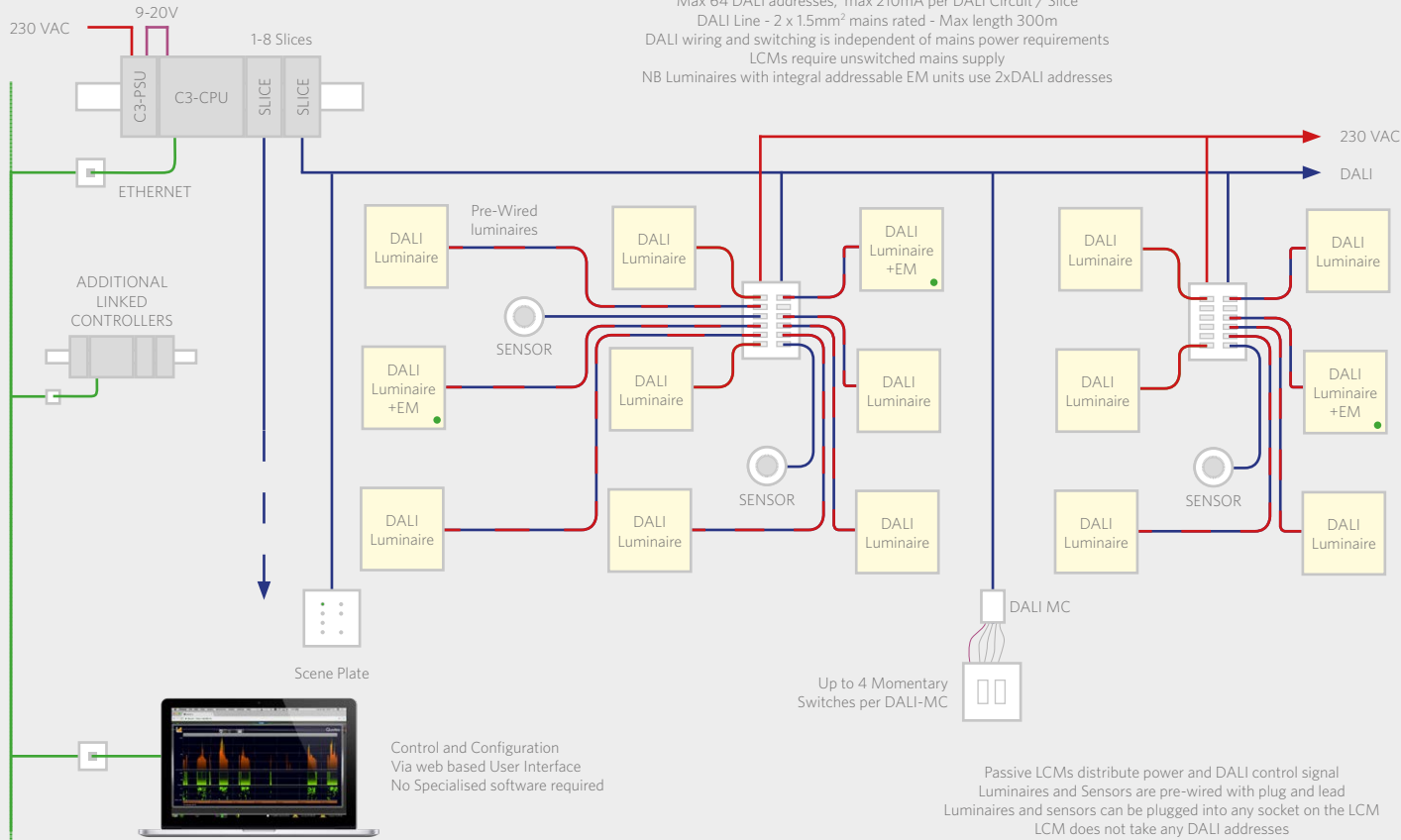


Example Schematic



Features

- Presence / Absence
- Daylight Harvesting
- Time Control
- Energy Monitoring
- Scene Setting & Sequences
- AV Integration
- Circadian rhythms and Tuneable white
- Smart Circulation
- Fault Reporting (email)
- Emergency testing
- Occupancy Monitoring
- Trend / BACnet integration

System Parameters

- 1-8 DALI Slices per processor
- 64 DALI addresses / 210mA per Slice
- DALI uses 2 core 1.5mm² unscreened
- Max distance from controls = 300m
- Luminaires required unswitched mains

Control 3 Components



Control 3 PSU
97-C3-PSU
LV supply for Processor



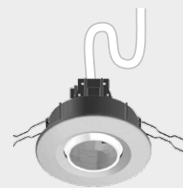
Control 3 Processor
97-C3-CPU
1-8 Slices can be connected



DALI Slice
97-SCIV2
64 addresses / 210mA



DALI Multisensor SR
97-5DPI-14RC-SPLG325
6mA



DALI Multisensor LR
97-5DPI-02-5DPI-41RC-SPLG325
10mA



Switch Input
97-DALI-MC
6mA



Scene Plate
97-12X-XXX
15mA



8x16A Relay
97-498
2mA



12 Way LCM
97-MCC10B
Passive LCM

See Control3 Brochure for additional available components