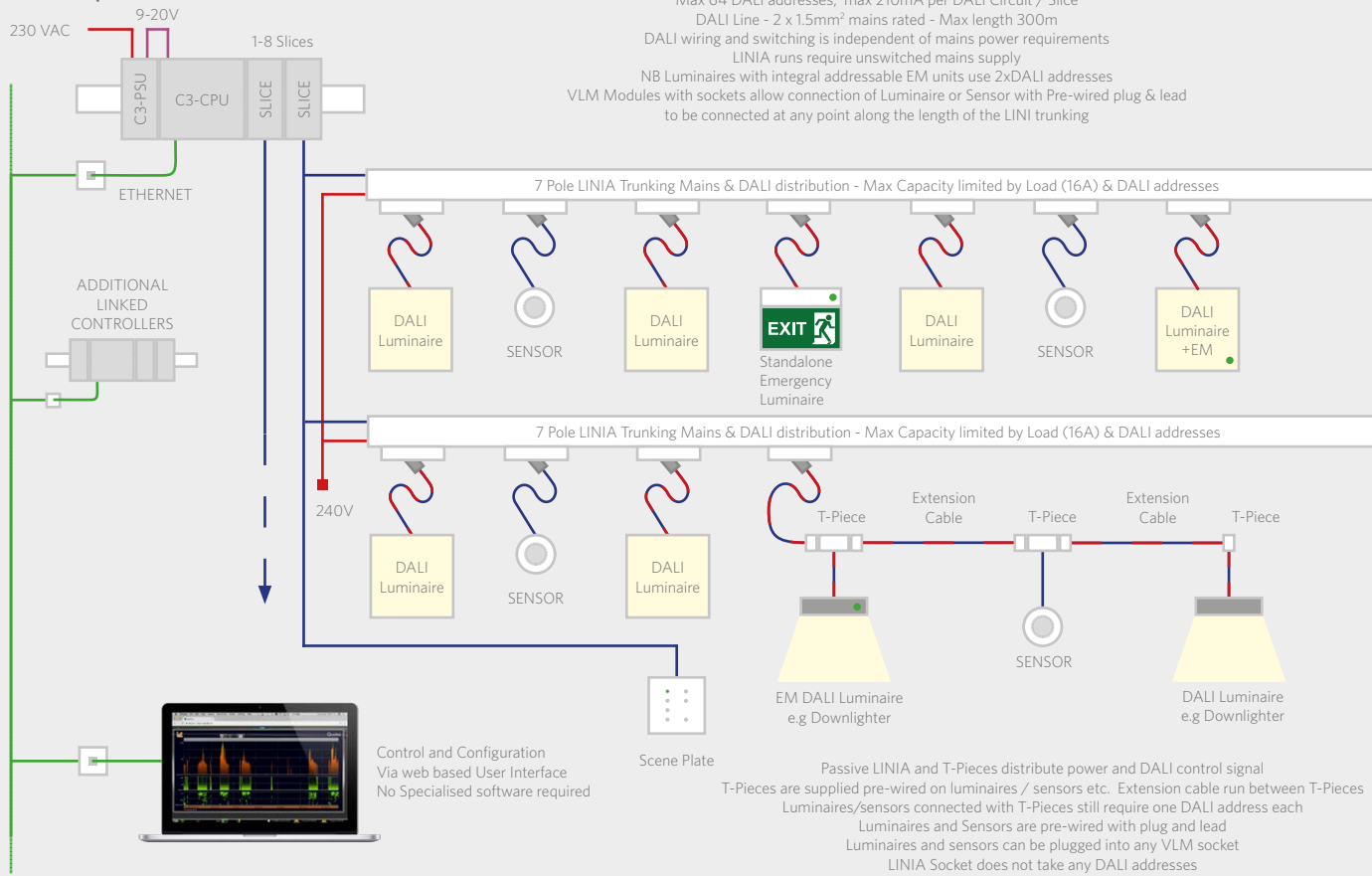


### Example Schematic



### Features

- Presence / Absence
- Daylight Harvesting
- Time Control
- Energy Monitoring
- Scene Setting & Sequences
- AV Integration
- Circadian rhythms and Tuneable white
- Smart Circulation
- Fault Reporting (email)
- Emergency testing
- Occupancy Monitoring
- Trend / BACnet integration

### System Parameters

- 1-8 DALI Slices per processor
- 64 DALI addresses / 210mA per Slice
- DALI uses 2 core 1.5mm<sup>2</sup> unscreened
- Max distance from controls = 300m
- Luminaires required unswitched mains

### Control 3 Components



Control 3 PSU  
 97-C3-PSU  
 LV supply for Processor



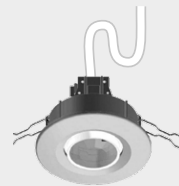
Control 3 Processor  
 97-C3CPU  
 1-8 Slices can be connected



DALI Slice  
 97-SCIV2  
 64 addresses / 210mA



DALI Multisensor SR  
 97-5DPI-14RC-SPLG325  
 6mA



DALI Multisensor LR  
 97-5DPI-02-5DPI-41RC-SPLG325  
 10mA



Switch Input  
 97-DALI-MC  
 6mA



Scene Plate  
 97-12X-XXX  
 15mA



8x16A Relay  
 97-498  
 2mA



VLM Socket  
 VLM-XX

See Control3 Brochure for additional available components